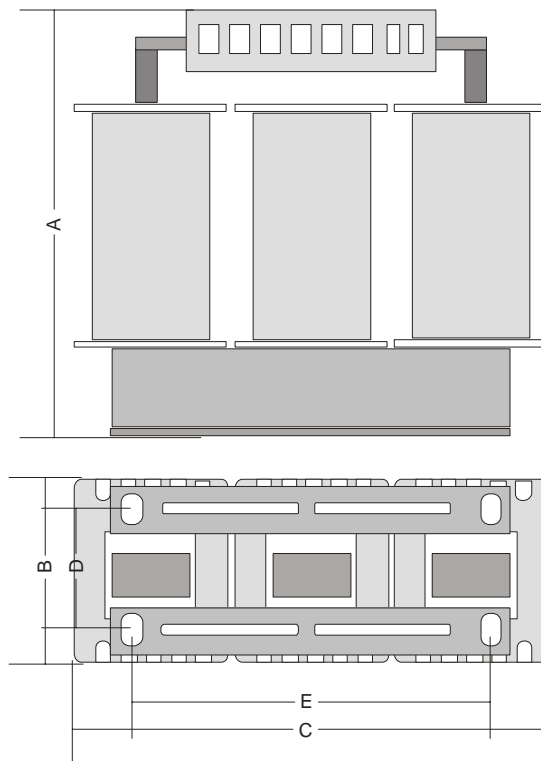
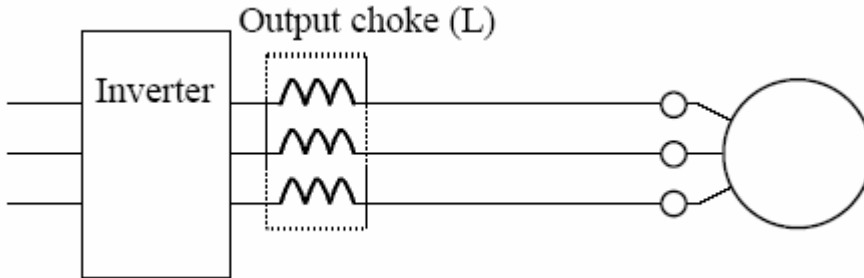


Motor reactors

Motor choke must be used when total motor cable length is over 40 ... 50 m.

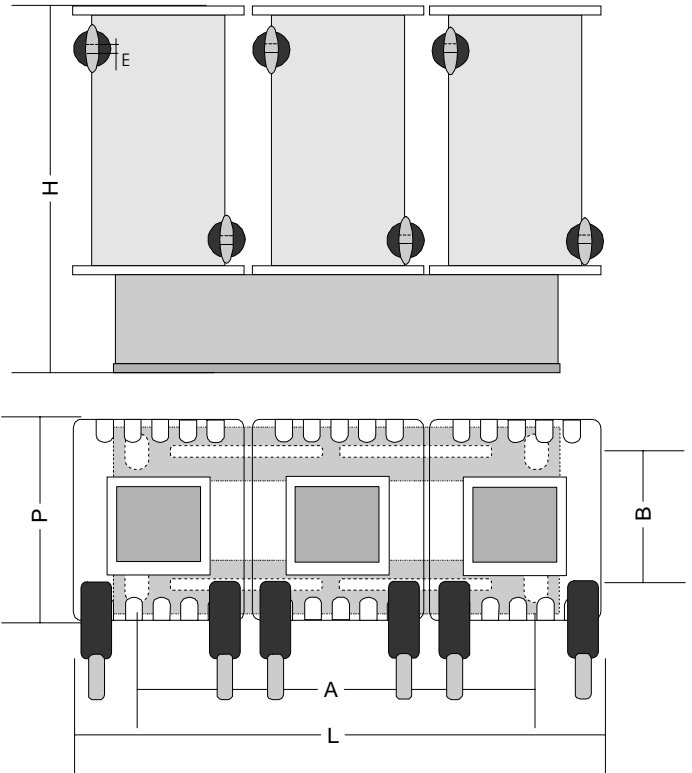
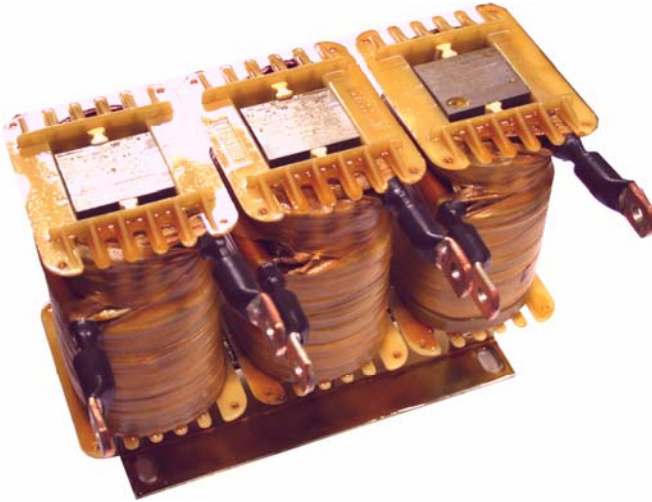
We can provide standard motor chokes for motors up to 11 kw and special choke up to 90 A (45 kw).
 For bigger motors please contact us.



Motor power	Nominal current reactor	A	B	C	D	E
Up to 5.5 Kw (400V)	12 A	160 mm	70 mm	180 mm	45 mm	135 mm
Up to 11 Kw (400 V)	25 A	170 mm	120 mm	185 mm	60 mm	135 mm

Maximum cable length : 100 m

Maximum carrier frequency : 1 KHz



	I nom	A	B	L	P	H	Type
MDR 400/47	47 A	148	65	203	87	143	2
MDR 400/70	70 A						2
MDR 400/90	90 A	200	71	262	108	186	2